

AI5 MATRIX POWERED WORKSTATIONS

LAYOUT OVERALL

[21] 6'x6'x50" H

FABRIC TILES - INSIDE

ONE PIECE LAMINATE - OUTSIDE

ACCESSORIES:

* [1] MOBILE PEDESTAL WITH CUSHION **

* [1] FILE/FILE PEDESTAL **

FINISHES:

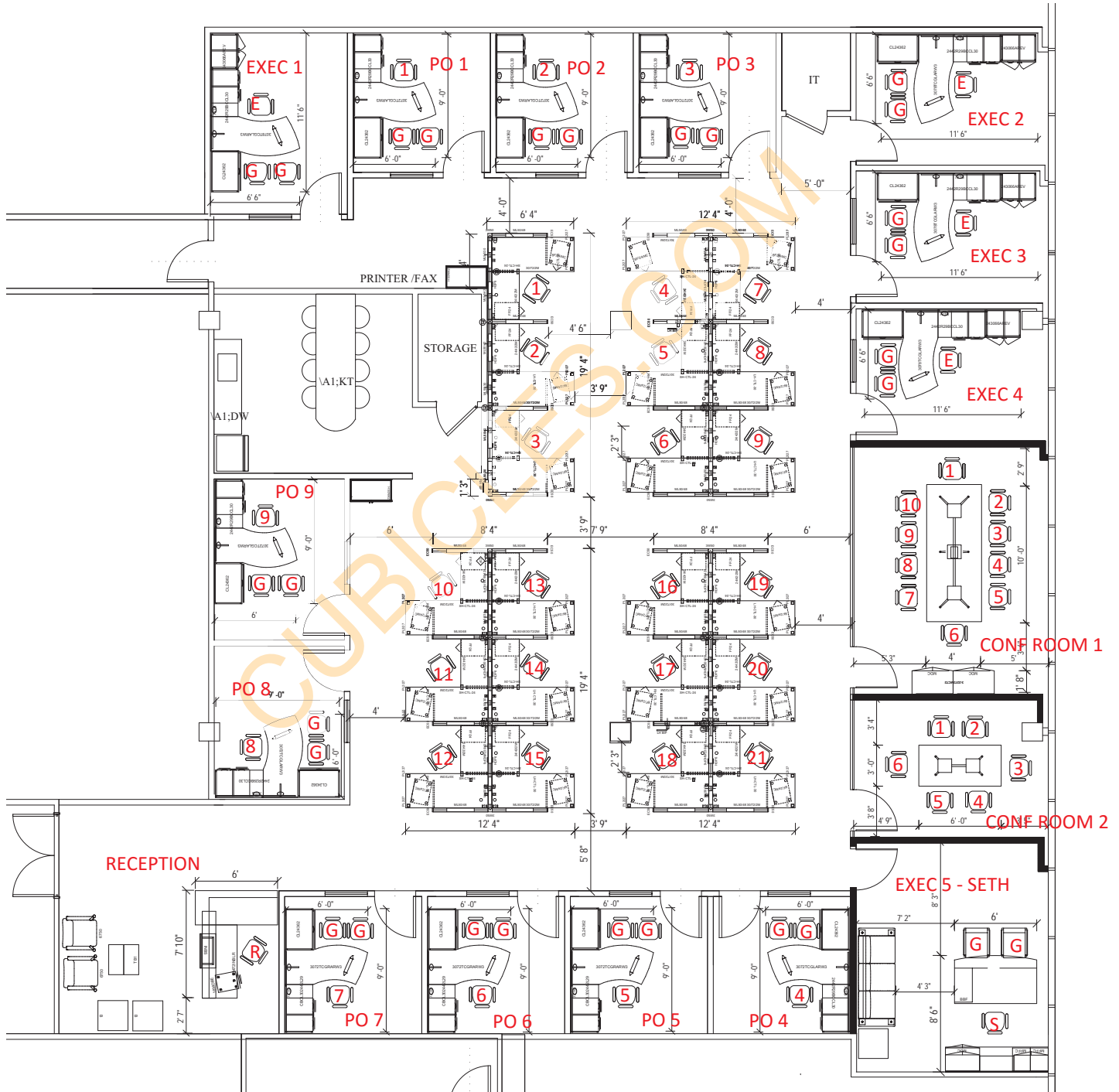
* LAMINATE TILES - Twill Sarum

* WORKSURFACE - True White

* FABRIC- Rainfall Sundown

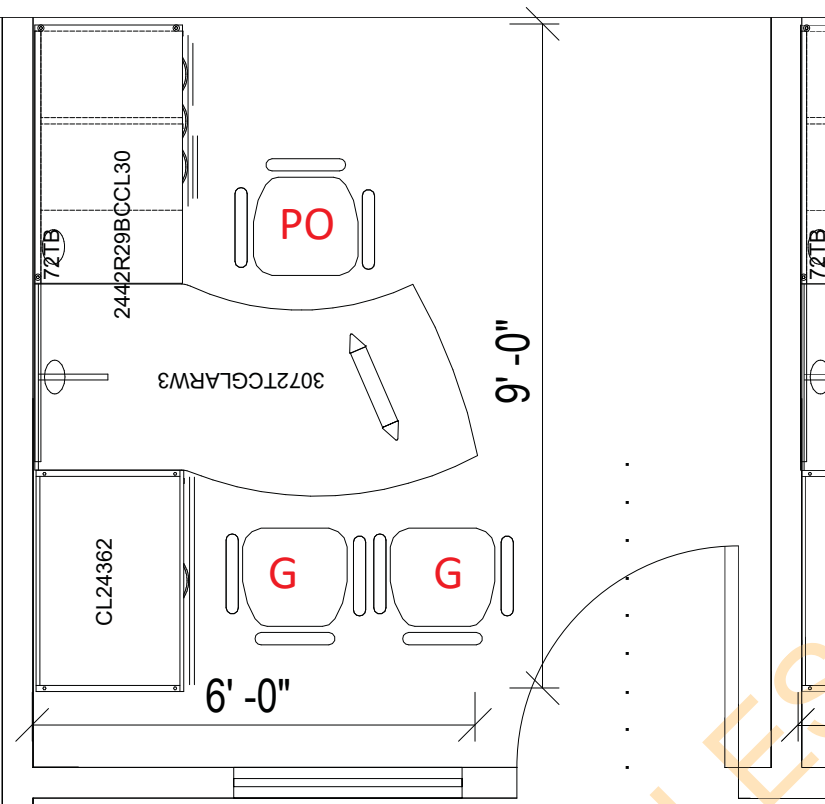
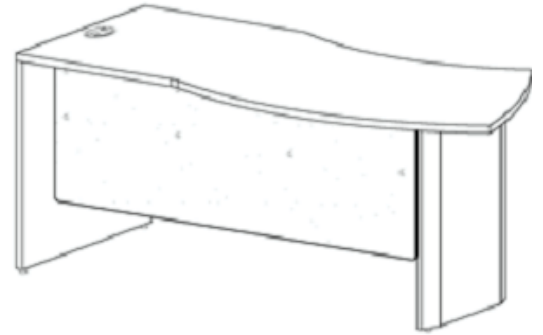
* Paint: Spectra Silver;

* Cushions: Garnet, Bayou, Amethyst



PRIVATE OFFICE Logiflex Millenium

- Laminate: White surface
- Laminate: Storm
- Work surface thickness: MAR 1-5/8" thick tops
- Legs and handles: Satin Nickel
- Satin nickel grommet

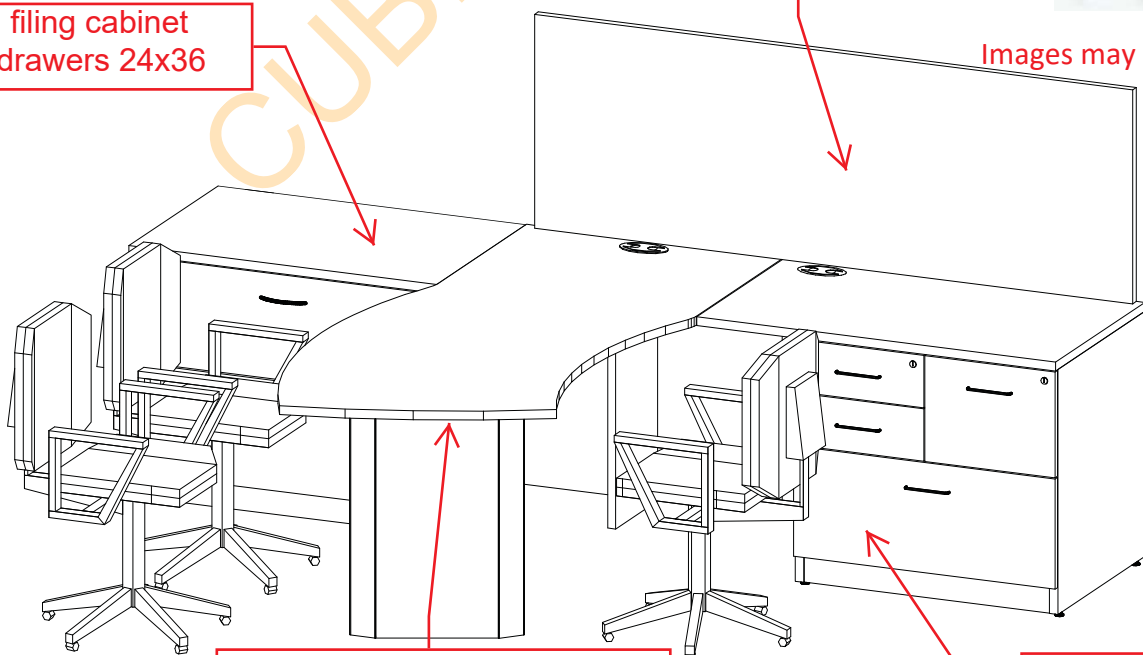


ROOM SIZE: 10'x10'

72"W Tackboard

Lateral filing cabinet with 2 drawers 24x36

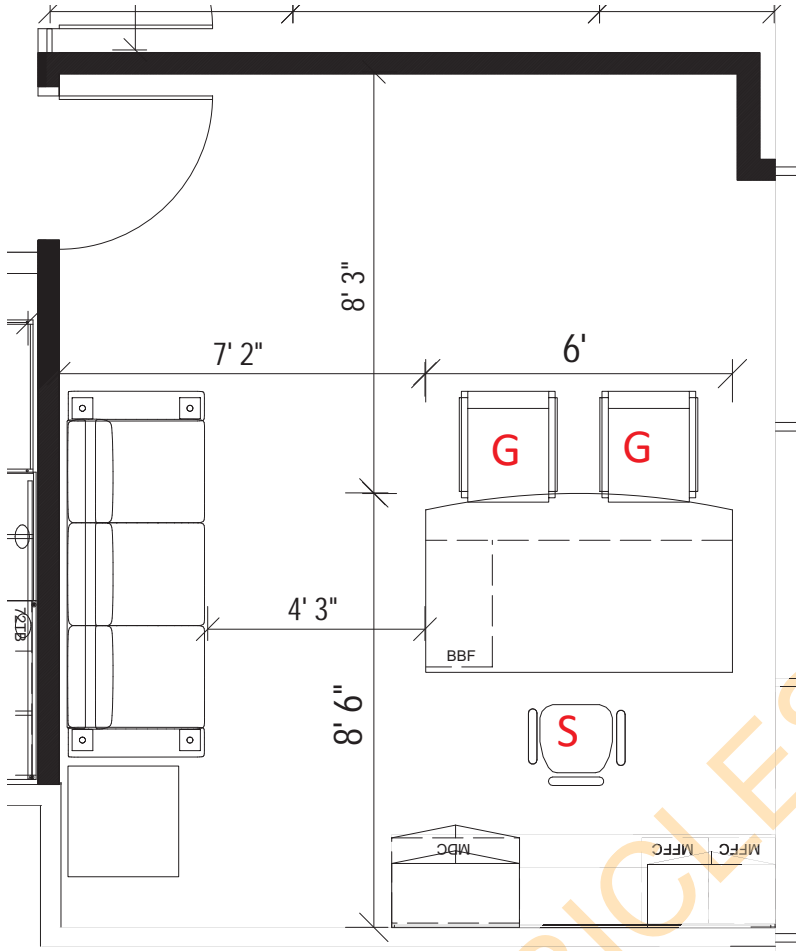
Images may not be exact



Hook Table with Arrow Base 30x72 with Frameless Frosted Acrylic Modesty Panel

Return with 30"W Combination Pedestal

SETH'S OFFICE First Office Vegas

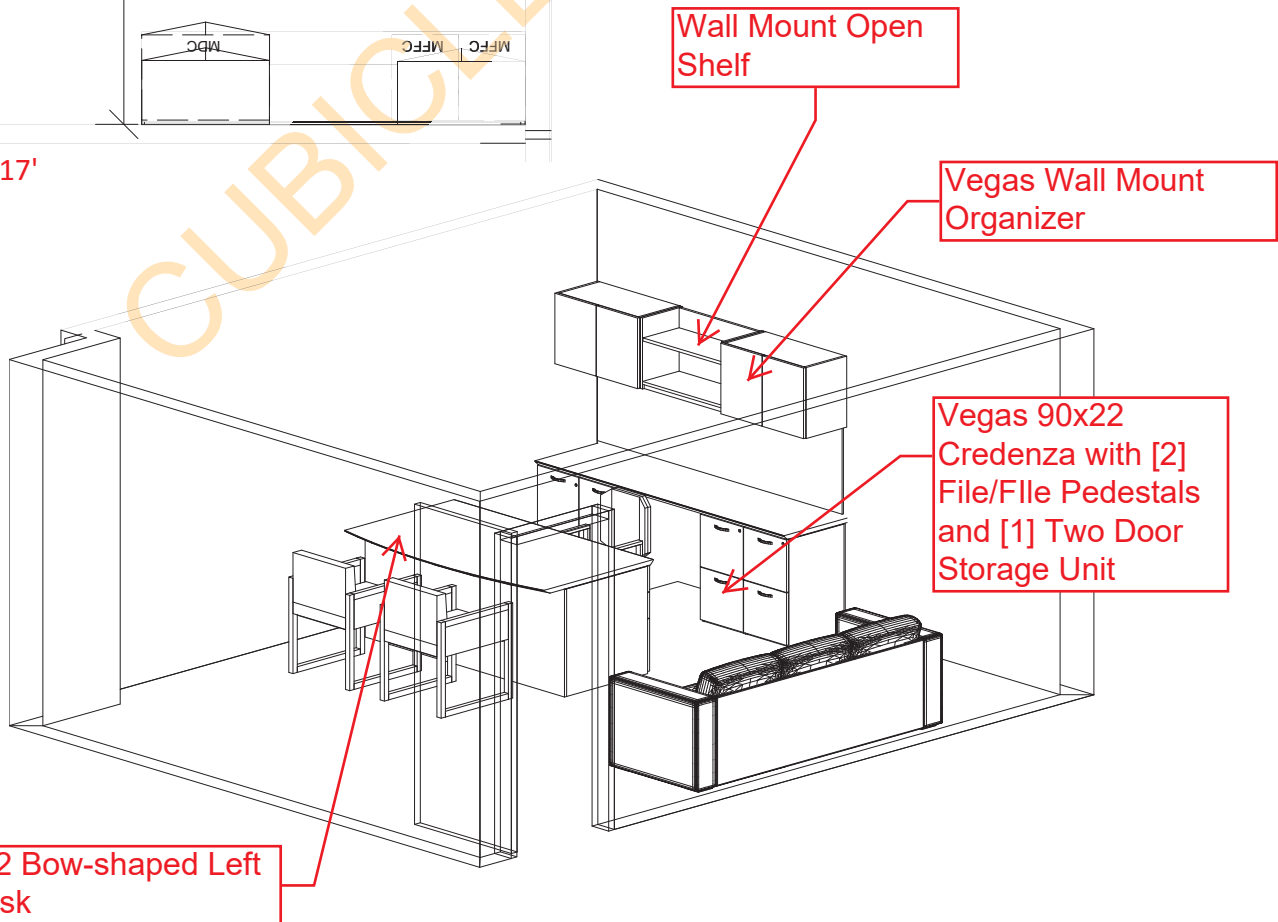


- Vener: Steel Grey Oak
- Work surface thickness: (FB) 2" knife edge
- Handles: (VK)

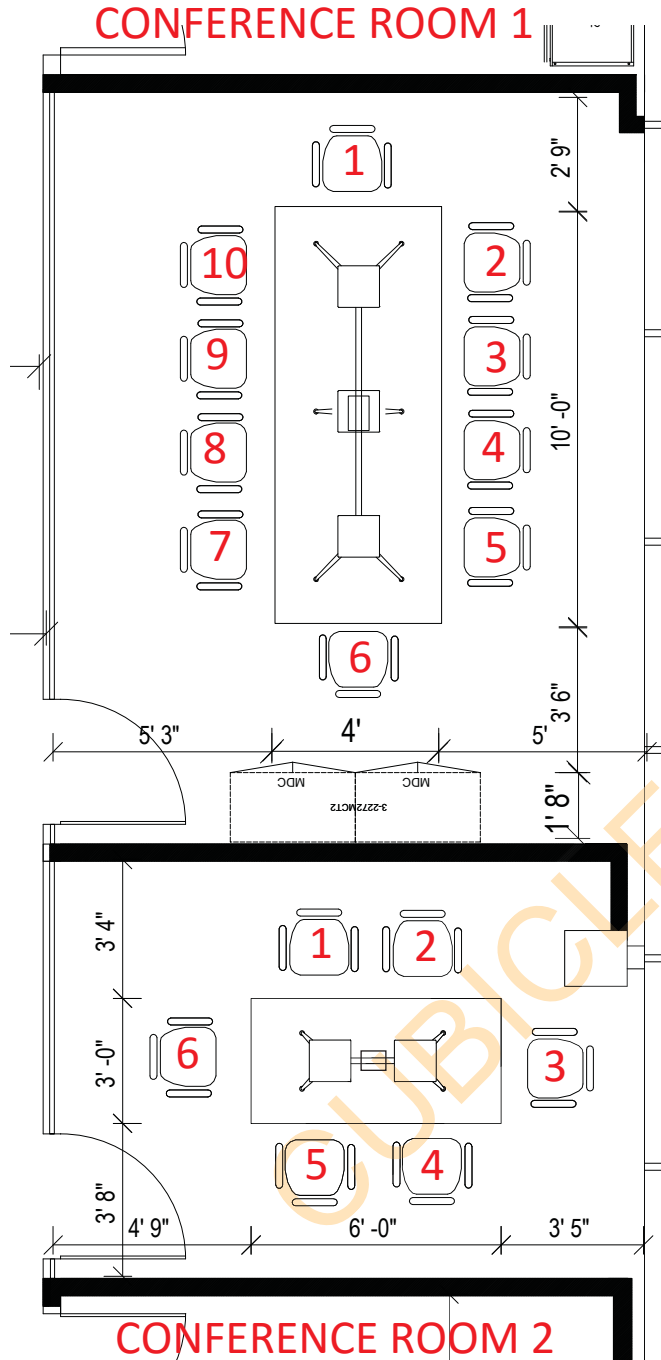


Images may not be exact

ROOM SIZE: 14'x17'



CONFERENCE ROOMS First Office INTERMIX



CONFERENCE ROOM 1

- Veneer: Steel Grey Oak
- Work surface thickness: (FB) 2" knife edge
- *Electrical box



CONFERENCE ROOM 2

- Veneer: Steel Grey Oak
- Work surface thickness: (FB) 2" knife edge
- *Electrical box



Images may not be exact